

**Pro iTable®**

## Tips:

- Product has been well tested, no further adjustment needed.
- With two #10 spanner, the lifting speed can be changed by adjusting the two screws in handle.

**Pro iTable®**

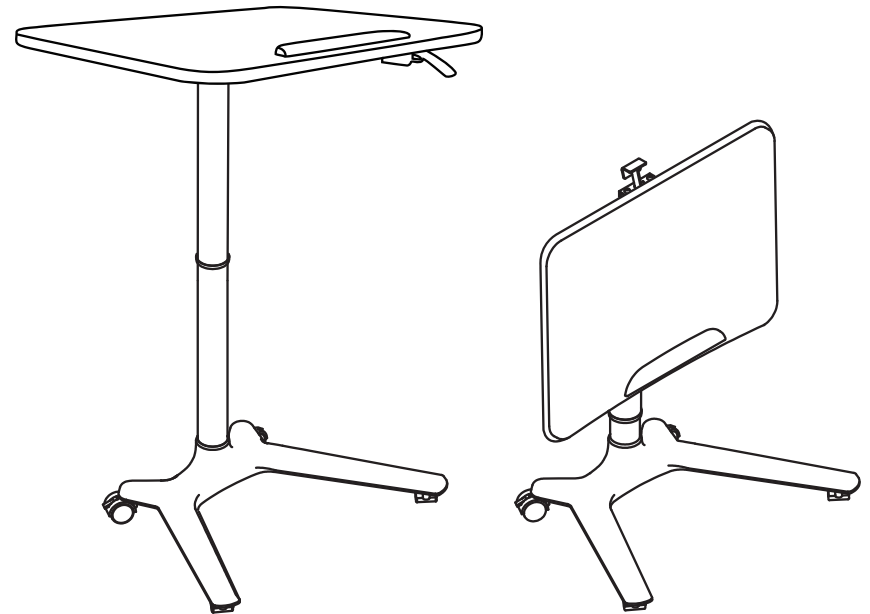
Changzhou Protek iLifting System Co., Ltd.

Phone: 86-519-8919 8009

Web Site: <http://cn-pl.com/index.html>

Adds: No.167 Liban Rd., Lijia, Wujin District, Changzhou  
Jiangsu, China 213176

## Flip-up Standing Desk



# Content

## ● Components of Desk:

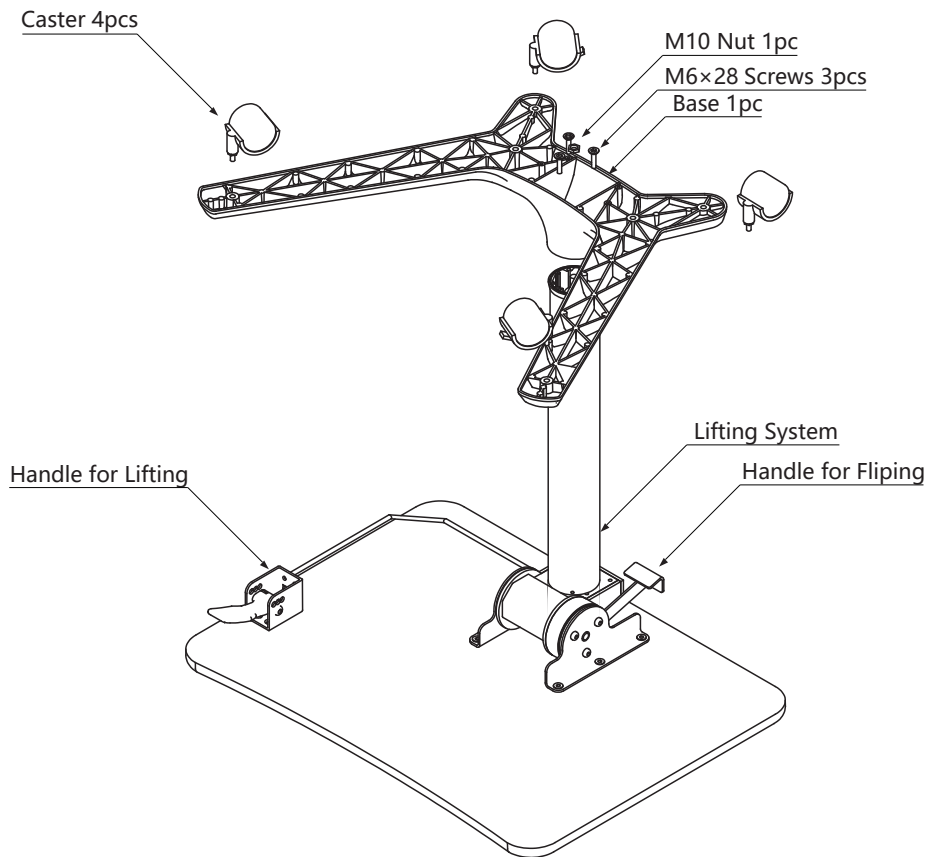
Desktop & Lifting System 1set, Base 1pc, Castor 4pcs

## ● Tools

Hex Key 1pc, #14 Spanner for Castors 1pc, #10 Spanner for Handle 2pcs

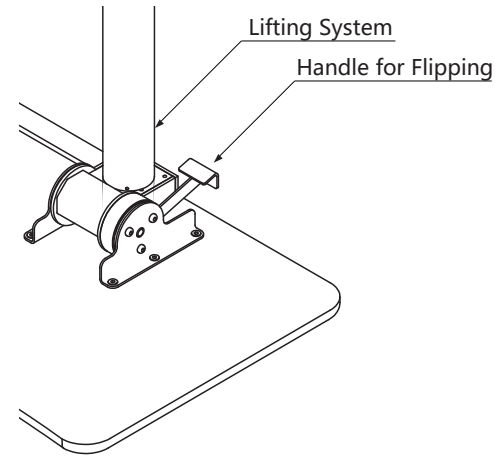
## ● Fasteners

Screw M6x28 3pcs, M10 Nut 1pc

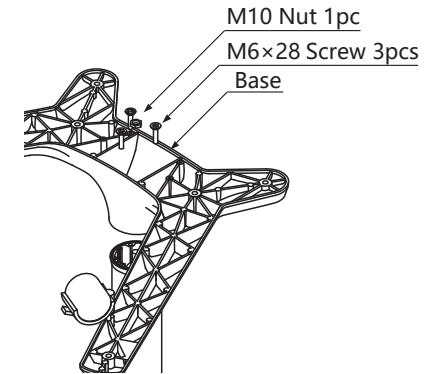


# installation instructions

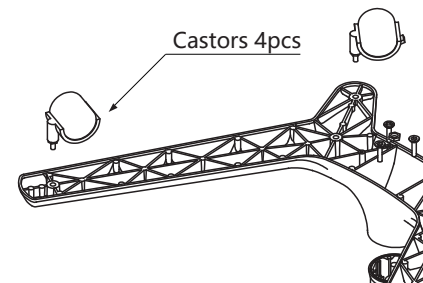
1 Press the handle for flipping, make the lifting system straight to the desktop.



2 Insert the base to lifting system, fasten it with the nut by hand, and three screws by hex key.



3 Assembling castors with spanner #14.



4 Reverse the desk and finish the installation.

